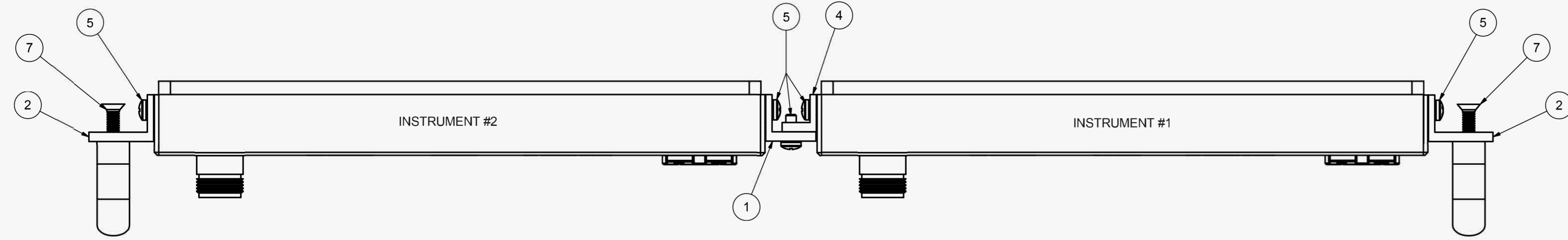
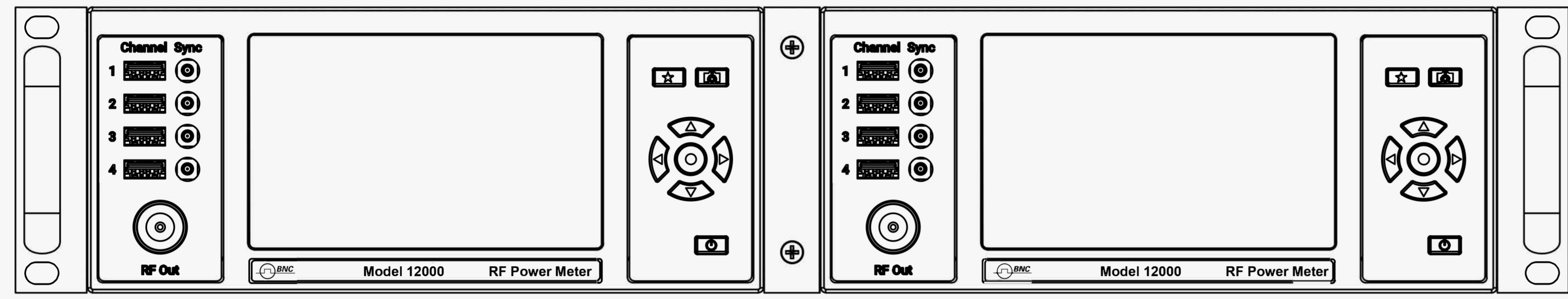


REVISION HISTORY					
REV	ECO	DESCRIPTION	BY	DATE	APPVD
A				04/03/20	

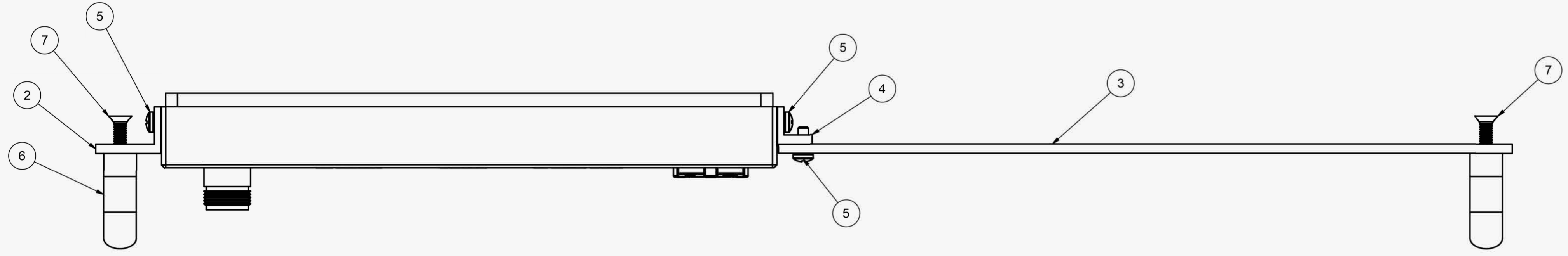


DUAL INSTRUMENT ASSEMBLY INSTRUCTIONS:

1. REMOVE FEET FROM BOTTOM OF COVERS
2. REMOVE DECALS FROM BEZEL (BOTH SIDES OF BOTH INSTRUMENTS)
3. ASSEMBLE RACK MOUNTING EAR BRACKET, ITEM 2, TO RIGHT SIDE OF INSTRUMENT #1, AND LEFT SIDE OF INSTRUMENT #2
4. ASSEMBLE RACK MOUNTING BRACKET CENTER REAR, ITEM 4, TO LEFT SIDE OF INSTRUMENT #1 ASSEMBLE RACK MOUNTING BRACKET CENTER FRONT, ITEM 1, TO RIGHT SIDE OF INSTRUMENT #2
5. JOIN INSTRUMENTS TOGETHER WITH SCREWS, ITEM 5
6. INSTALL HANDLES (OPTIONAL)

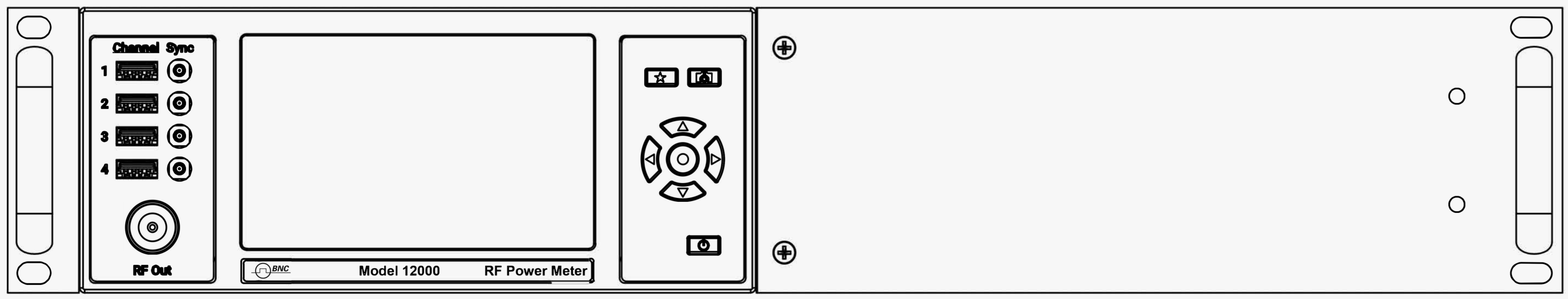


DUAL RACK MOUNTING DIAGRAM



SINGLE INSTRUMENT ASSEMBLY INSTRUCTIONS:

1. REMOVE FEET FROM BOTTOM OF COVERS
2. REMOVE DECALS FROM BEZEL (BOTH SIDES OF BOTH INSTRUMENTS)
3. ASSEMBLE RACK MOUNTING EAR BRACKET, ITEM 2 TO LEFT SIDE OF INSTRUMENT.
4. ASSEMBLE RACK MOUNTING BRACKET CENTER REAR ITEM 4, TO RIGHT SIDE OF INSTRUMENT
5. ASSEMBLE RACK MOUNTING PLATE, ITEM 3 TO RACK MOUNTING BRACKET CENTER REAR WITH SCREWS, ITEM 5
6. SINGLE RACK KIT IS REVERSIBLE (INSTRUMENT ON RIGHT SIDE AND RACK MOUNTING PLATE ON LEFT SIDE)
7. INSTALL HANDLES (OPTIONAL)



SINGLE RACK MOUNTING DIAGRAM

Table			
ITEM	QTY	PART NUMBER	DESCRIPTION
1	1	73111800A	BRACKET, RACK MOUNTING CENTER FRONT
2	2	73111600A	BRACKET, RACK MOUNTING EAR
3	1	60352305A	PLATE, RACK MOUNTING
4	1	73111700A	BRACKET, RACK MOUNTING CENTER REAR
5	10	911029000	SCREW, 6-32 X 3/8, BH, SEMS
6	2	79615001A	HANDLE
7	4	911156000	SCREW, 8-32 X 1/2" FLAT HEAD

UNLESS OTHERWISE SPECIFIED DIMENSIONS ARE IN INCHES TOLERANCES ARE:		CONTRACT NO.			
FRACTIONS +/- 1/64	DECIMALS XX +/- .010 XXX +/- .005	ANGLES +/- 30'			
MATERIAL:		DRAWN	DATE	INSTRUCTION SHEET, RACK MOUNTING KIT, SINGLE/DUAL	
FINISH:		pbrush	4/3/2020		
NEXT ASSY USED ON		CHECKED			
APPLICATION		DES. ENG.		SIZE D	DWG NO 839222
DO NOT SCALE DRAWING		ENG.		SCALE	REV A
			SHEET 1 OF 1		