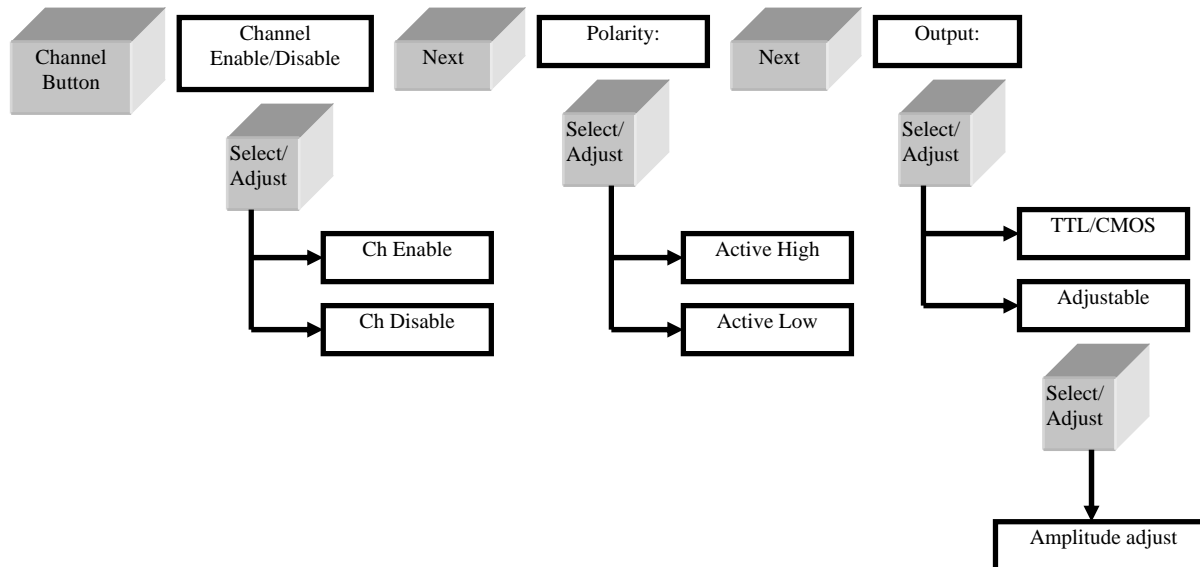
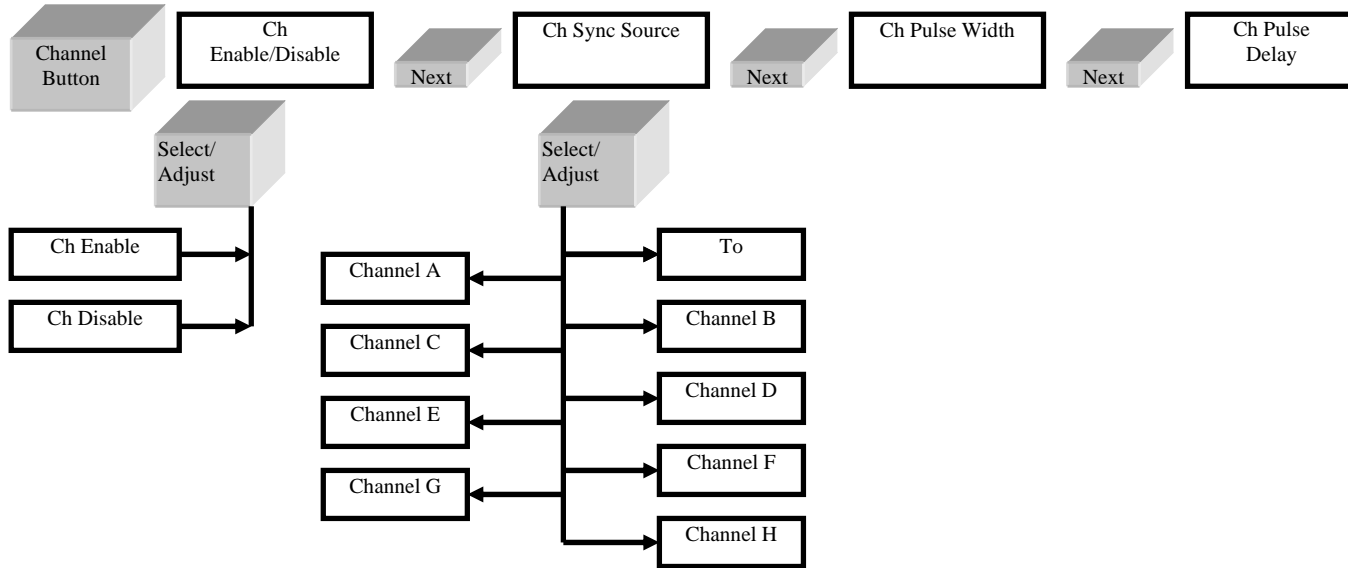
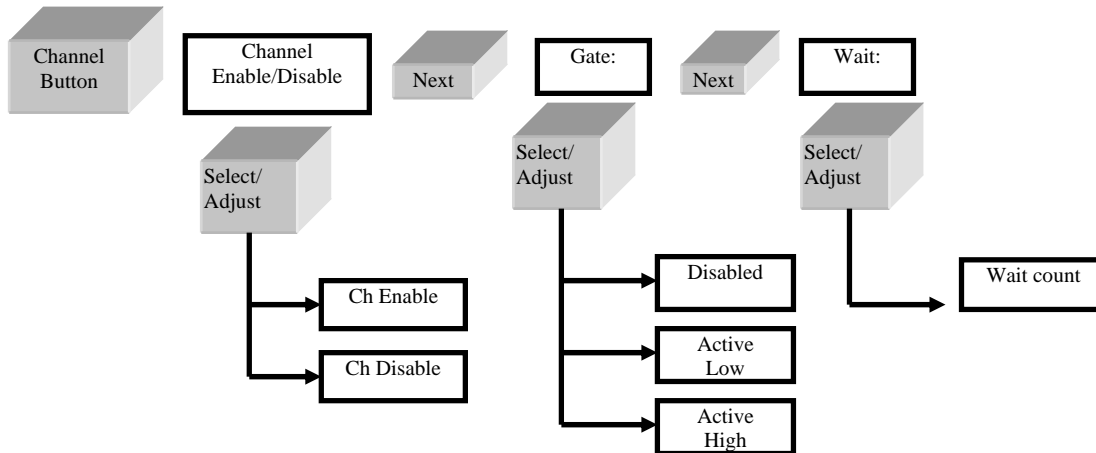
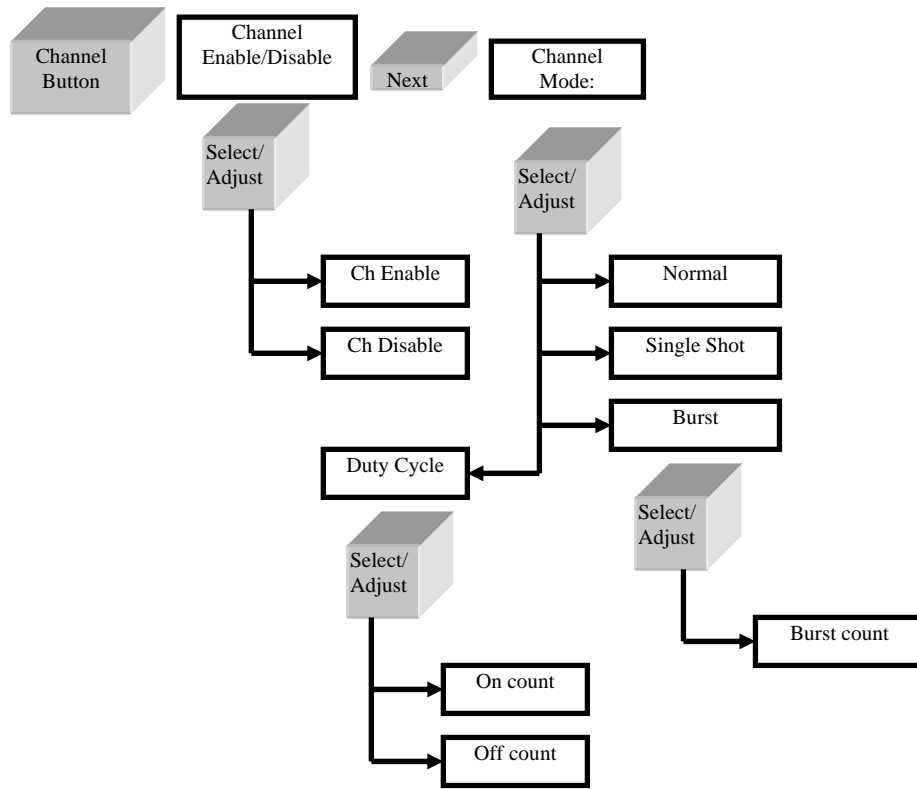
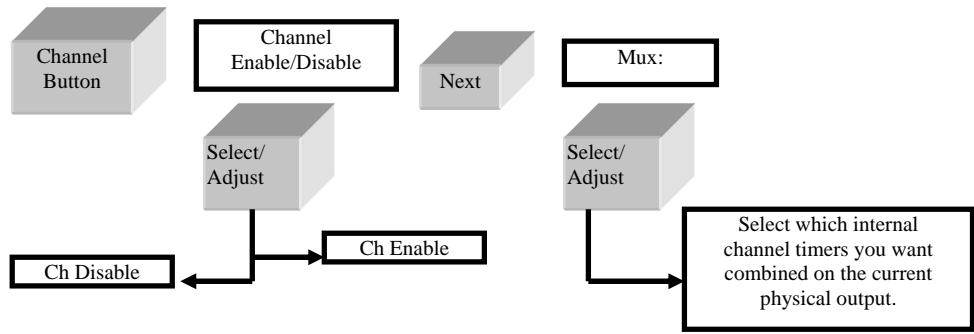


Berkeley Nucleonics 565 Pulse Generator – Menu Structure

Channel Menus – The following can be used to access Channels A through H. In order to access the menus for channels E through H, the Function Button must be pressed before the channel button (i.e. – pressing the “Function” button then the channel “A” button will take you into the menu for Channel E).

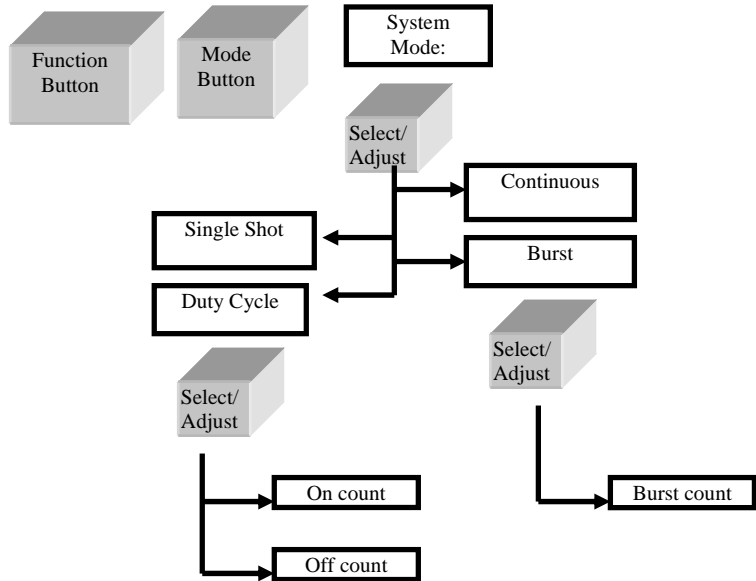




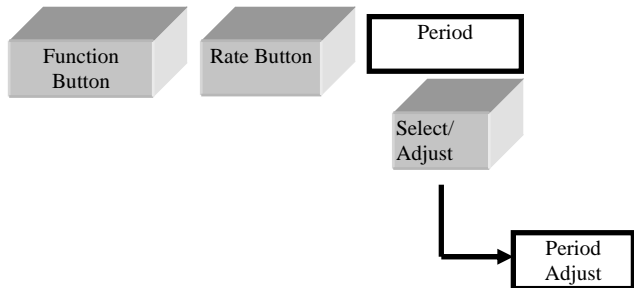


Multiplex Menu: For information on the multiplex options of your unit please refer to the 565 manual or call technical support.

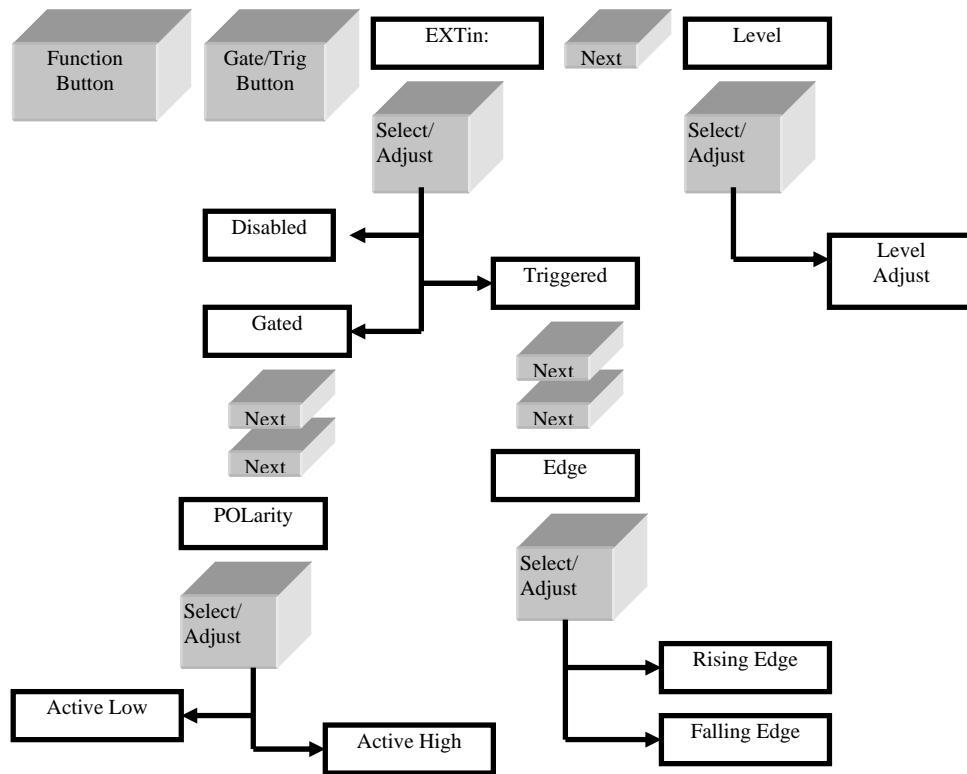
The following outlines the System Mode Menu:



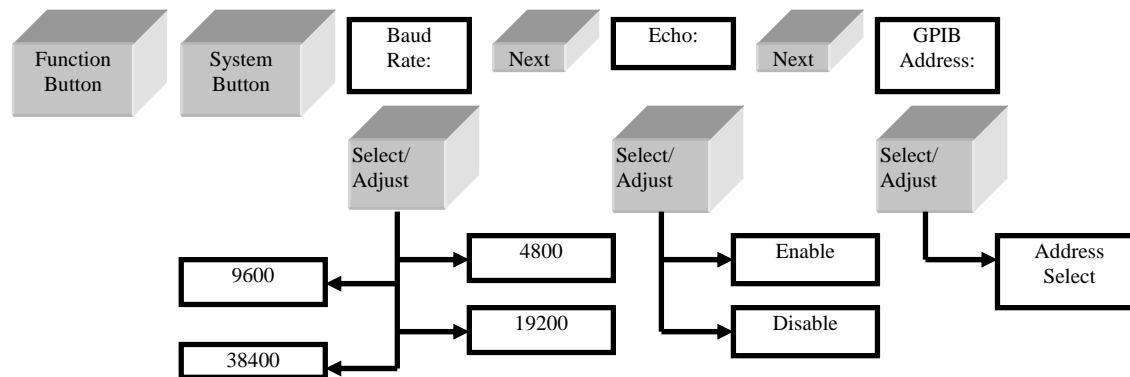
The following outlines the Rate Menu:

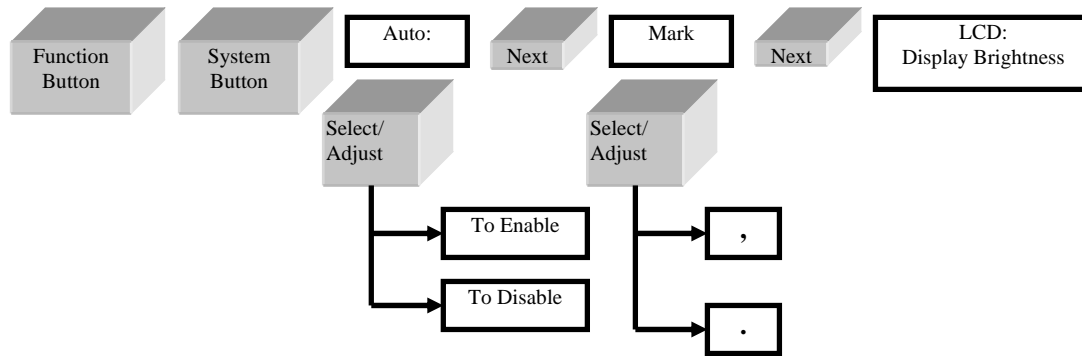
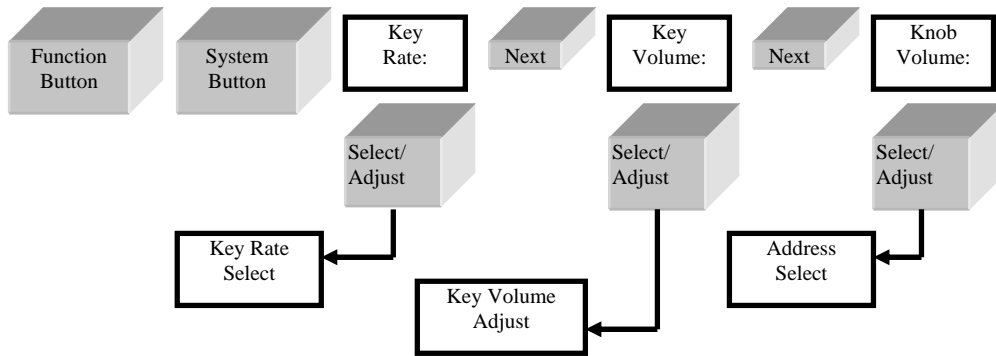


The following outlines the Gate/Trig Menu:

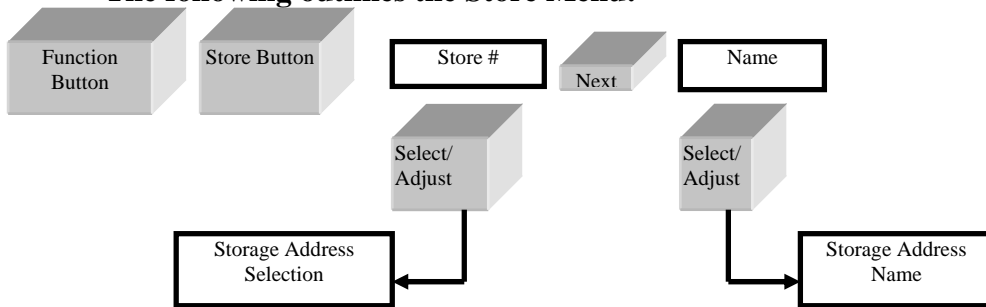


The following outlines the System Menu:





The following outlines the Store Menu:



The following outlines the Recall Menu:

